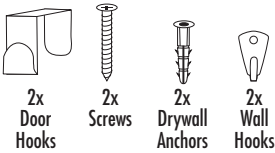


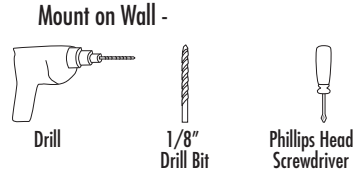
PURSE RACK MOUNTING INSTRUCTIONS:

Hardware Included:



Tools Needed:

Mount to Door -
No tools needed



CAUTION - To avoid injury please install the unit correctly

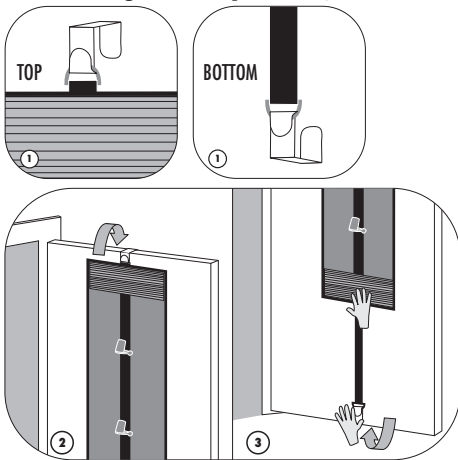
MOUNT TO DOOR

Attention: For 1.75" thick commercial or dorm doors please visit www.Jokari.com/hooks to receive proper hardware. **Do not continue installation without correct sized door hooks as injury may occur.**

Mount to Door:

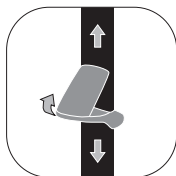
1. Snap door hook into D ring at top and bottom. (See image 1 below)
2. Place hook onto top of door. (See image 2 below)
3. To secure the bottom hook hold the base of the organizer with one hand. Firmly grasp the bottom hook with the other hand, stretch the elastic band and secure the bottom hook to the base of the door.

Make sure the hook is set before releasing the strap. (See image 3 below)



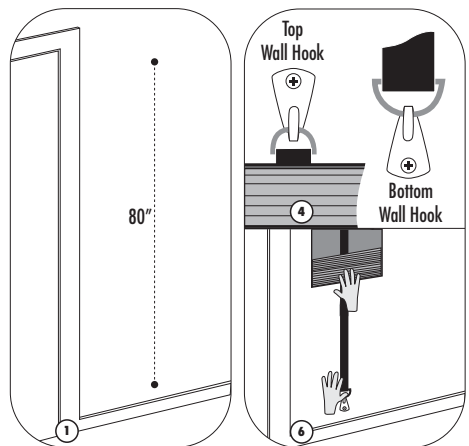
Adjust Hooks:

1. Tilt hook up towards strap
2. Slide hook to desired position. Hook will self lock into place.



MOUNT ON WALL

1. Measure and mark two holes onto wall 80" apart, equidistant from edge of wall. (See image 1 below)
2. Sheetrock: Drill holes into sheet rock using a 1/8" drill bit and use included sheet rock anchors. Wood/Stud: Drill holes into wood using a 1/8" drill bit, no anchors are needed.
3. Insert anchors into holes in wall, if needed.
4. Attach wall hooks to wall using a screwdriver and included screws. Top hook should face up. Bottom hook should face down. (See image 4 below)
5. Place the top D ring over the top hook.
6. To secure the bottom D ring hold the base of the organizer with one hand. Firmly grasp the bottom D ring with the other hand, stretch the elastic band and secure the bottom D ring under the bottom hook. **Make sure the D ring is set before releasing the strap.** (See image 6 below)



Customer Service: Need help with installation?
Please call Jokari toll-free at 800.669.1718, M-F, 8-5 CST.